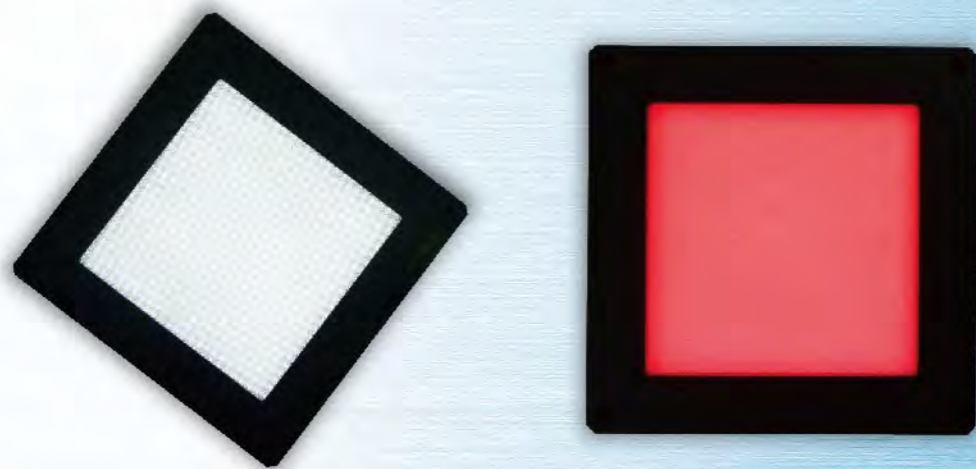


Flat Dome Series



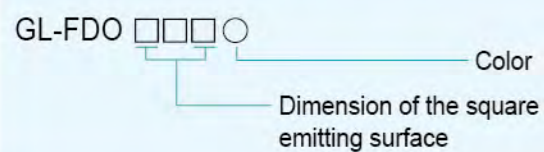
Features

1. Lightweight and thin
2. Provide same light-emitting surface of coaxial light(IFV series) and dome type (DOME series) with less installation height.

Major applications

1. Inspection of the printing on the bottoms of aluminum cans or batteries
2. Inspection of the circuit of PCB
3. Inspection of the keyboard of mobile phone
4. Inspection of reflective materials

Model explanation



Available Models

Model	Color	Power Consumption	Weight (g)	Dimension
GL-FDO100R-SDBW	●	12V/3.8W	271	1
GL-FDO100W/B/G-SDBW	○●●	12V/5.7W		
GL-FDO100R-24	●	24V/3.84W		
GL-FDO100W/B/G-24	○●●	24V/5.76W		
GL-FDO100IR-24	●	24V/3.84W		

Imaging examples



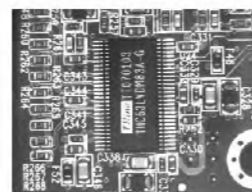
GL-FDO100R
COKE CAN



GL-FDO100R
KEYPAD

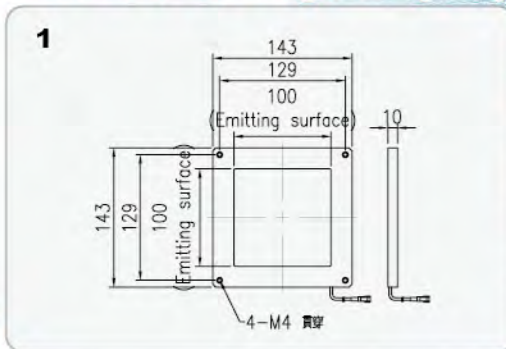


GL-FDO100W
BAT



GL-FDO100W
PCB

Dimensional Diagrams(mm)



Spot Light Series



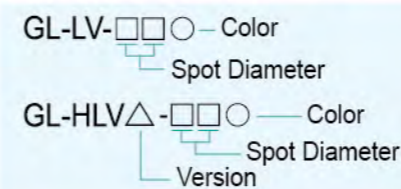
Features

1. High-luminosity coaxial spot lights compatible with MARCO lenses
2. Collecting optics by used light guides to maximum spot luminance
3. Stable illumination in dedicated constant-voltage power source
4. Small with easy and convenient handling
5. Spot lighting
6. HLV3 series allows 5 times brighter than HLV series, which has become the brightest spot light in Machine vision field.

Major applications

1. Coaxial lighting for highly reflective surfaces, such as wafers, metal surfaces, liquid-crystal and glass material.
2. Mounted on movable modules.

Model explanation



Available Models

Model	Color	Power Consumption	Weight (g)	Dimension
GL-LV14R	●	12V/0.3W	16	1
GL-LV14W/B/G	○●●	12V/0.3W		
GL-LV14IR	●	12V/0.3W		
GL-HLV28R	●	350mA/1.0W	39	2
GL-HLV28W/B/G	○●●	350mA/1.0W		
GL-HLV28IR	●	350mA/1.0W	65	3
GL-HLV2-28R	●	350mA/1.0W		
GL-HLV2-28W/B/G	○●●	350mA/1.0W		
GL-HLV2-32R	●	500mA/2.0W	90	4
GL-HLV2-32W/B/G	○●●	500mA/2.0W		
GL-HLV3-24R	●	500mA/2.0W	40	5
GL-HLV3-24W/B/G	○●●	500mA/2.0W		
GL-HLV2-24R-3W	●	700mA/3W	153	6
GL-HLV2-24W/B/G-3W	○●●	700mA/3W		
GL-HLV2-24W-5W	○	1300mA/5W	153	7

Dimmer for Spot Light Available Models

LED Model	Power Model	Power Requirement	Output	Connector	External Control	Dimension	Weight(g)
GL-HLV28	GLC-P11W	AC100V~AC240V	350mA	SMP-03V*1	定電流 控制	8	580
GL-HLV2-28							
GL-HLV2-32	GLC-P12W	AC100V~AC240V	500mA	SMP-03V*1	定電流 控制	8	580
GL-HLV3-24							
GL-HLV2-24-3W	GLC-P1170		700mA				
GL-HLV2-24-5W	GLC-P11130		1300mA				