

[SPECIFICATIONS]

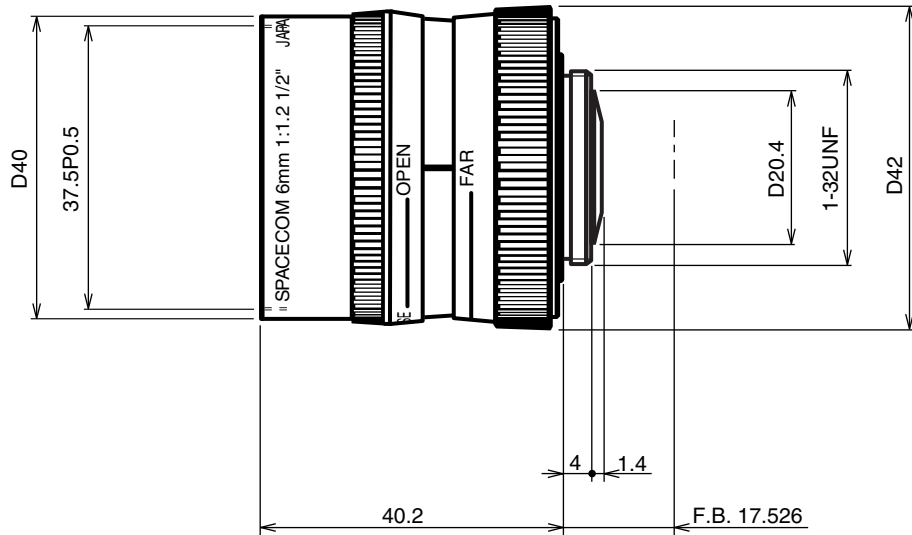
Image Size: $\frac{1}{2}$ $\frac{1}{3}$ $\frac{1}{4}$

Focal Length :	6mm	Flange Back :	17.526mm
Maximum Relative Aperture :	1:1.2	Operation :	Focus : Manual Iris : Manual
Iris :	F1.2 - Close	Operation Temperature :	-10 to +50
Angular Field of View :	56.1 X43.6 deg.	Mount :	C-Mount
Image Format :	6.4X4.8mm(D8mm)	Front Thread :	37.5mm P0.5
Minimum Object Distance :	0.2m(From Front Vertex)	Size, Weight :	D42X40.2mm, Approx. 65g
Object Dimensions at M.O.D. :	23.2X17.4cm		
Optical Back Focal Distance :	12.12mm(In Air)		

[COMPOSITION]

- Lens1
- Lens Cap1
- Dust Cap1

[DIMENSIONS]



Unit:mm