

HZ848R

[SPECIFICATIONS] F1.0 Motorized Zoom Lens

Image Size: $\frac{1}{2}$ $\frac{1}{3}$ $\frac{1}{4}$

Focal Length : 8 - 48mm
 Maximum Relative Aperture : 1:1.0
 Iris : F1.0 - Close
 Zoom Ratio : 6X
 Angular Field of View : 43.6 X33.4 deg. at 8mm
 7.7 X 5.7 deg. at 48mm
 Image Format : 6.4X4.8mm(D8mm)
 Minimum Object Distance : 1.0m(From Front Vertex)
 Object Dimensions at M.O.D. : 74.3X54.9cm at 8mm
 12.3X 9.3cm at 48mm
 Optical Back Focal Distance : 14.56mm(In Air)

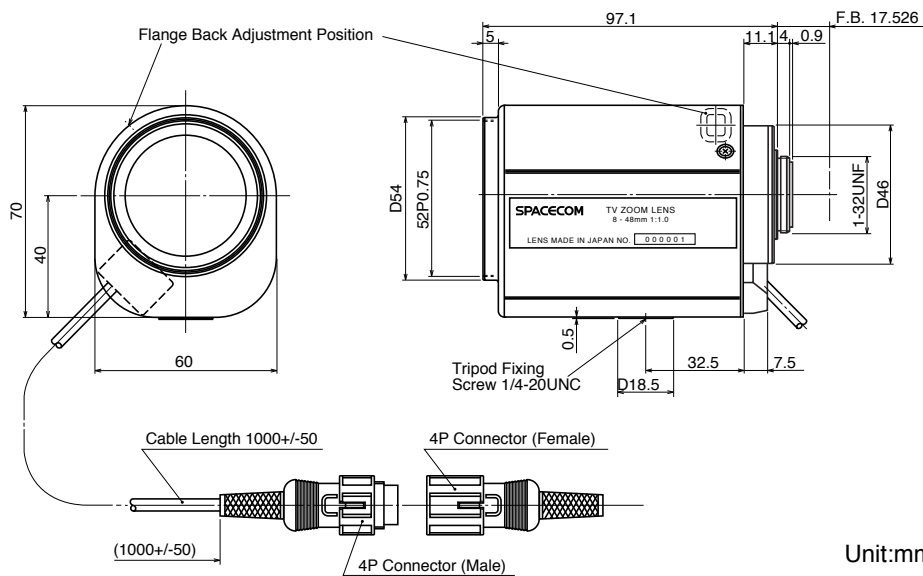
Flange Back : 17.526mm
 Operation : Zoom : Motorized(DC+/-6.4V, Max40mA)
 Speed Approx. 6sec.
 Focus : Motorized(DC+/-6.4V, Max40mA)
 Speed Approx. 7sec.
 Iris : Motorized(DC+/-6.4V, Max40mA)
 Speed Approx. 3.5sec.
 Operation Temperature : -10 to +50
 Mount : C-Mount(Adjustable Lens Position)
 Front Thread : 52mm P0.75
 Size, Weight : 70X60X97.1mm, Approx. 500g

[COMPOSITION]

Lens1
 Lens Cap1
 Dust Cap1

4-Conductor Connector(Female)1
 (Any 4-conductor cable of external dia 6mm to be prepared separately.)

[DIMENSIONS]



[CIRCUIT DIAGRAM]

