

JF4.8AI

【SPECIFICATIONS】

Image Size : $\frac{2}{3}$ $\frac{1}{2}$ $\frac{1}{3}$ $\frac{1}{4}$

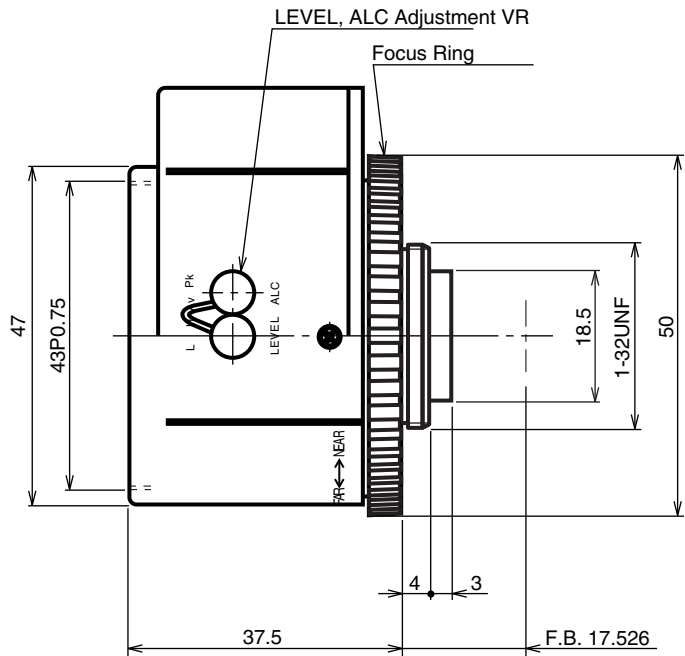
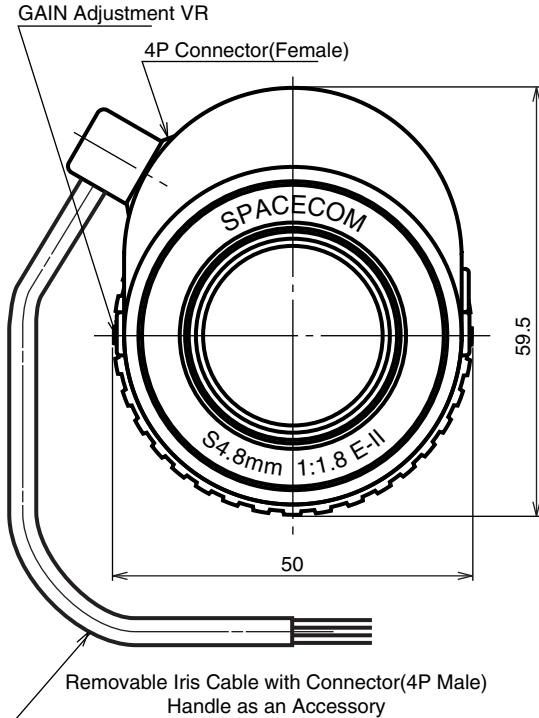
Focal Length : 4.8mm
 Maximum Relative Aperture : 1 : 1.8
 Iris : F1.8 ~ Approx.360
 (With ND Spot Filter)
 Angle of View : 85.0 × 69.0 deg
 Image Size : 8.8 × 6.6mm (11mm)
 Minimum Object Distance : 0.2m (From Front Vertex)
 Optical Back Focal Distance : 10.86mm (In Air)
 Flange Back : 17.526mm
 Input Signal : Composite Video Signal or
 Video Signal
 Sensitivity Adjustment : 0.5 ~ 1Vp-p(Image Signal)
 Photometry Range : Approx.40 ~ 70% Variable to Vp-p

Input Impedance : High Impedance
 Operation : Focus : Manual
 Iris : EE(DC+8 to 16V : Max40mA)
 EE Mechanism : The built-in EE Amp amplifies the difference
 between the video signal from the camera
 and the preset Iris signal level. It causes
 the Iris to change size.
 EE Accuracy : With Input Video Signal 0.7Vp-p
 Within ± 10% of Mean Value
 Operating Temperature : -10 ~ +50
 Mount : C-Mount(Adjustable Lens Position)
 Filter Size : 43mm P0.75
 Size : 59.5 × 50 × 37.5mm
 Weight : Approx. 95g

【COMPOSITION】

- Lens 1
- Lens Cap 1
- Dust Cap 1

【DIMENSIONS】



【CIRCUIT DIAGRAM】

Unit:mm

