

PYXIS 25

[SPECIFICATIONS] 2/3" format 5.0 Mega Pixel Lens

Image Size: $\frac{2}{3}$ $\frac{1}{2}$ $\frac{1}{3}$

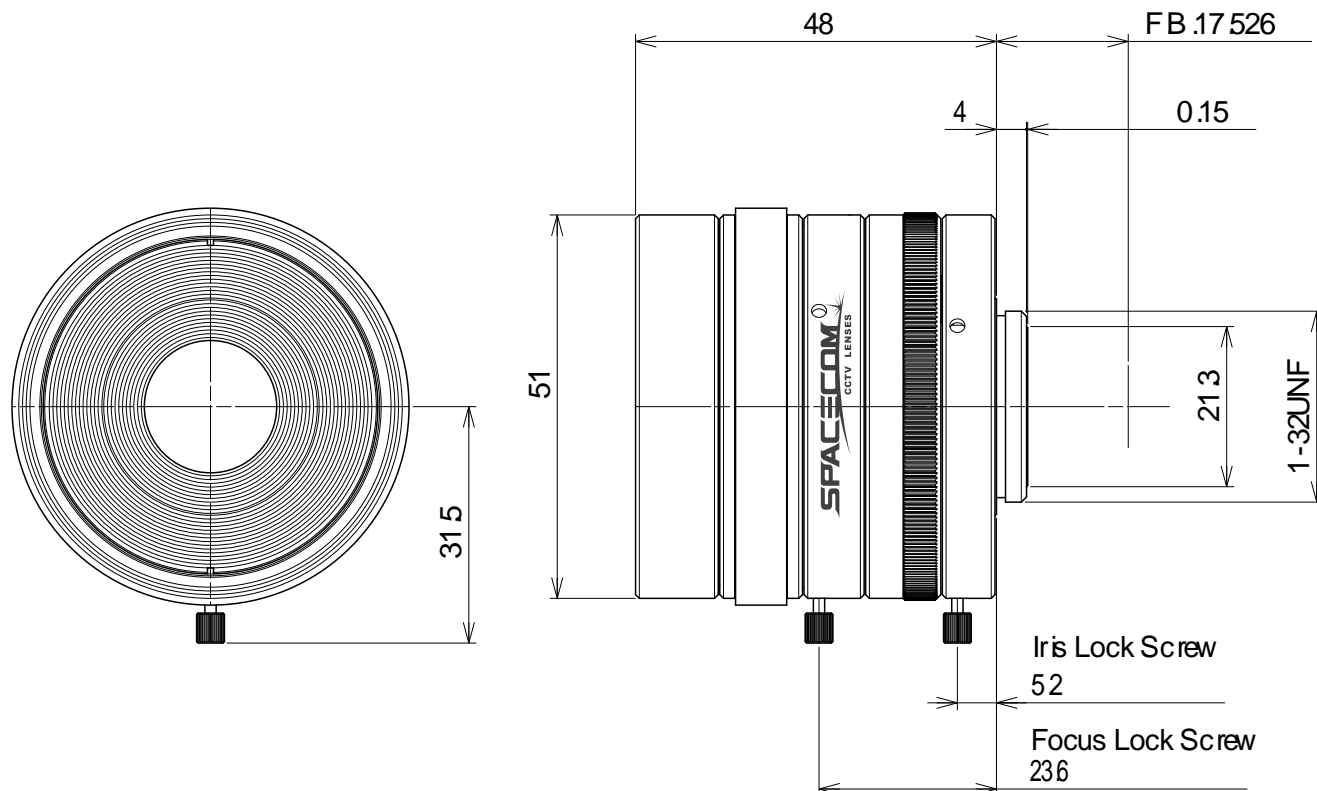
Focal Length: 25mm
 Maximum Relative Aperture: 1:1.4
 Iris: F1.4- 2.2
 Angular Field of View: 20.0 x 15.0°
 Image Format: 8.8 x 6.6mm (11mm)
 Minimum Object Distance: 0.2m (From Front Vertex)
 Resolution: 3.45µ m
 TV Distortion: 0.21% ()
 -0.07% (Near)

Back Focus: 14.01mm (h A ir)
 Flange Back: 17.526mm
 Operation: Focus: Manual
 Iris: Manual
 Operation Temperature: -10~ +50
 Mount: C-Mount(Adjustable Lens Position)
 Front Thread: 49mm P0.75
 Size, weight: 51x 48mm Approx.190g

[COMPOSITION]

- Lens.....1
- Front Cap.....1
- Rear Cap.....1

[DIMENSIONS]



Unit:mm