

SPACECOM

JZ95152BR

Motorized Zoom Lens for 3CCD Camera

Image Size: $\frac{2}{3}$ $\frac{1}{2}$ $\frac{1}{3}$ $\frac{1}{4}$

[SPECIFICATIONS]

Focal Length : 9.5 - 152mm

Maximum Relative Aperture : 1:1.8

Iris : F1.8 - Close

Zoom Ratio : 16X

Angular Field View : 49.7 X38.3 deg. at 9.5mm
3.3 X 2.5 deg. at 152mm

Image Format : 8.8X6.6mm(D11mm)

Minimum Object Distance : 1.0m(From Front Vertex)
22mm at Macro

Object Dimensions at M.O.D : 92.6X69.5cm at 9.5mm
5.8X 4.4cm at 152mm

Optical Back Focal Distance : 39.05mm(In Air)

Flange Back : 48.00mm

Operation : Zoom : Motorized(DC+/-6.4V, Max80mA)
Speed Approx. 9sec.

Focus : Motorized(DC+/-6.4V, Max80mA)
Speed Approx. 17sec.

Iris : Motorized(DC+/-6.4V, Max50mA)
Speed Approx. 2.5sec.

Operation Temperature : -10 to +50

Mount : Bayonet-Mount

Front Thread : 86mm P1

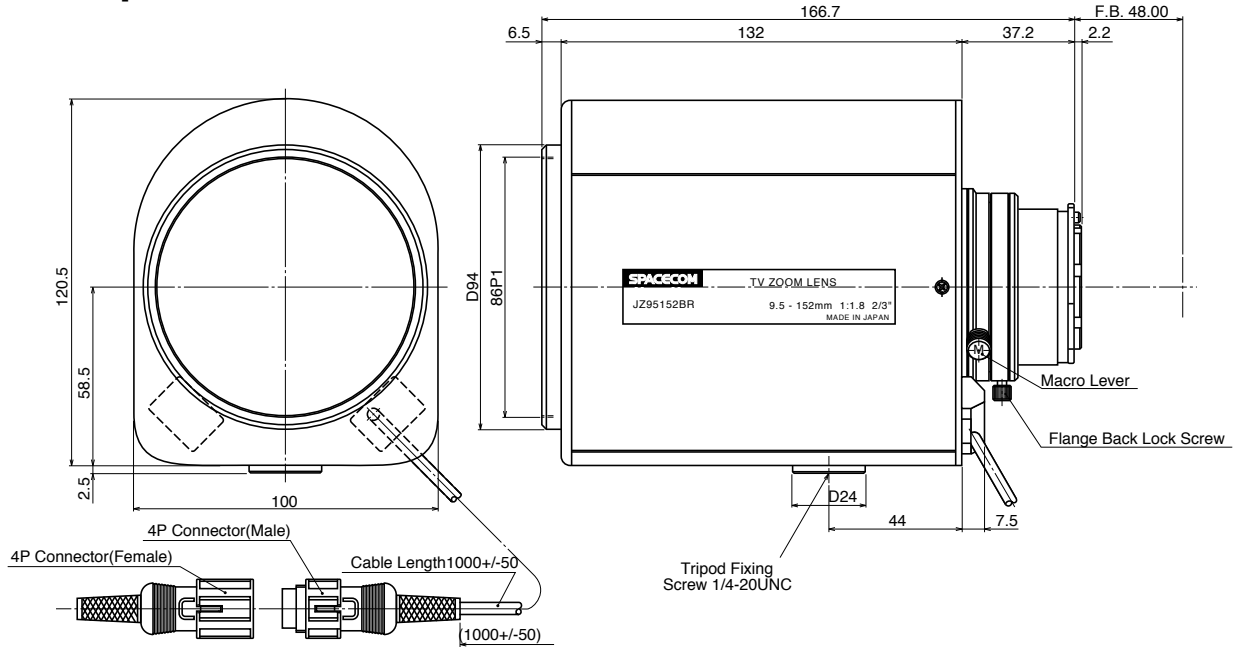
Size , Weight : 120.5X100X166.7mm, Approx. 1.5 Kg

[COMPOSITION]

- Lens 1
- Lens Cap 1
- Dust Cap 1

4-Conductor Connector(Female) 1
(Any 4-conductor cable of external dia 6mm to be prepared separately)

[DIMENSIONS]



[CIRCUIT DIAGRAM]

