

TF2.3DC

Image Size: $\frac{1}{3}$ $\frac{1}{4}$

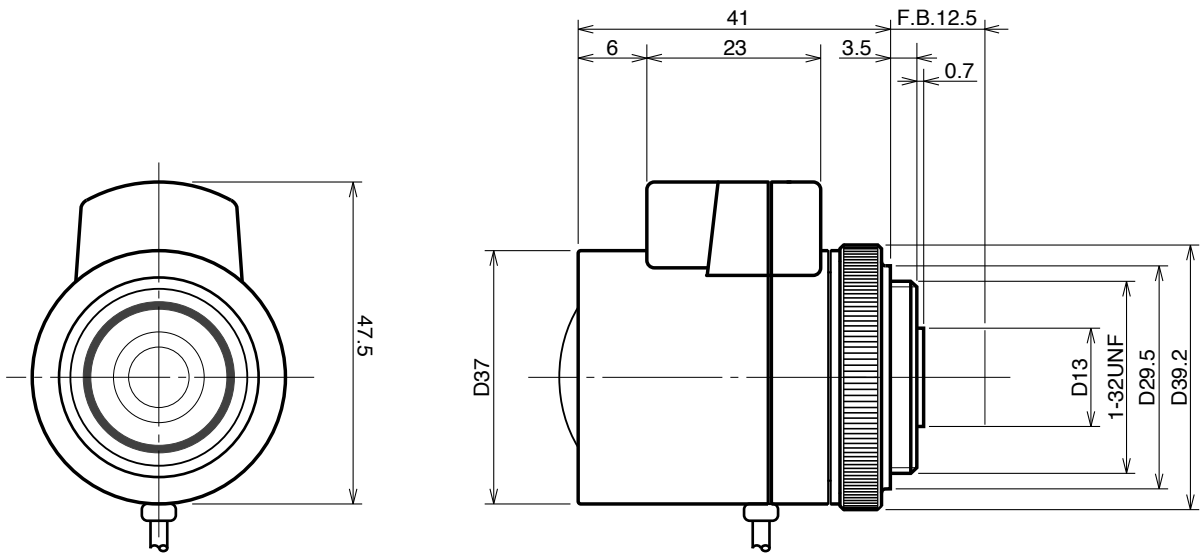
[SPECIFICATIONS]

Focal Length :	2.3mm	Optical Back Focal Distance :	8.3mm(In Airs)
Maximum Relative Aperture :	1:1.4	Flange Back:	12.5mm
Iris :	F1.4 - Approx.360	Operation Voltage:	Close to Open : Less than 4V Open to Close : More than 0V
Angular Field of View :	116.1X87.4 deg	Operation :	Focus : Manual Iris : IG(Auto Close System)
Image Format :	4.8X3.6mm(D6mm)	Operation Temperature :	-10 to +45
Minimum Object Distance :	0.2m(From Front Vertex)	Mount :	CS-Mount(Adjustable Lens Position)
Object Dimensions at M.O.D. :	64.1X38.2cm	Size, Weight :	D37X47.5X41mm, Approx. 80g

[COMPOSITION]

- Lens1
- Lens Cap1
- Dust Cap1

[DIMENSIONS]



Unit:mm

[CIRCUIT DIAGRAM]

