

VF25095M

【SPECIFICATIONS】 High-Speed megapixel-Lens F0.95

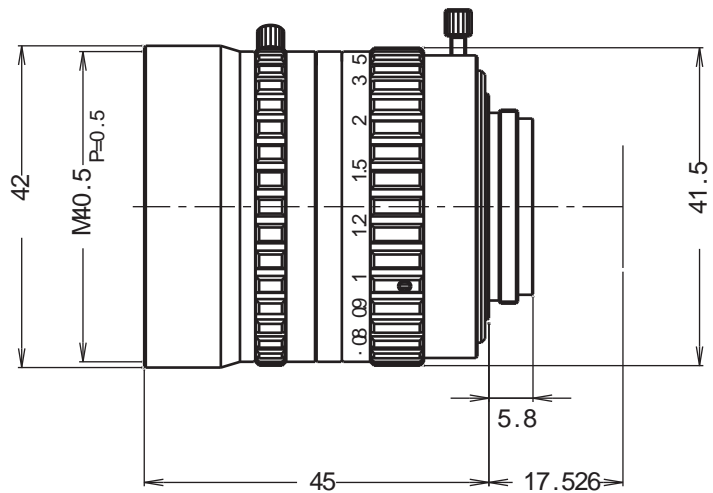
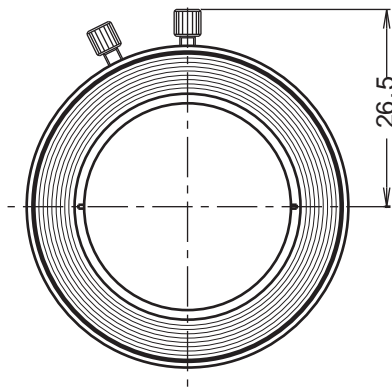
Image Size : (1)

Focal Length :	25mm	Optical Back Focal Distance :	13.04mm (In Air)
Maximum Relative Aperture :	1:0.95	Flange Back :	17.526mm
Iris :	F0.95 ~ 16	Operation :	Focus : Manual Iris : Manual
Angle of View :	28.5 × 21.2 deg	Operating Temperature :	-10 ~ +50
Image Size :	12.8 × 9.6mm (16mm)	Mount :	C-Mount
Minimum Object Distance :	0.45mm (From Front Vertex)	Filter Size :	40.5mm P0.5
Resolution :	3.4 μ m (at center) 5.6 μ m (at corner)	Size :	42 × 45mm
Distorsion :	-1.9%	Weight :	Approx. 116g

【COMPOSITION】

- Lens 1
- Lens Cap 1
- Dust Cap 1

【DIMENSIONS】



Unit:mm