

# TF4DC

Image Size:  $\frac{1}{3}$   $\frac{1}{4}$

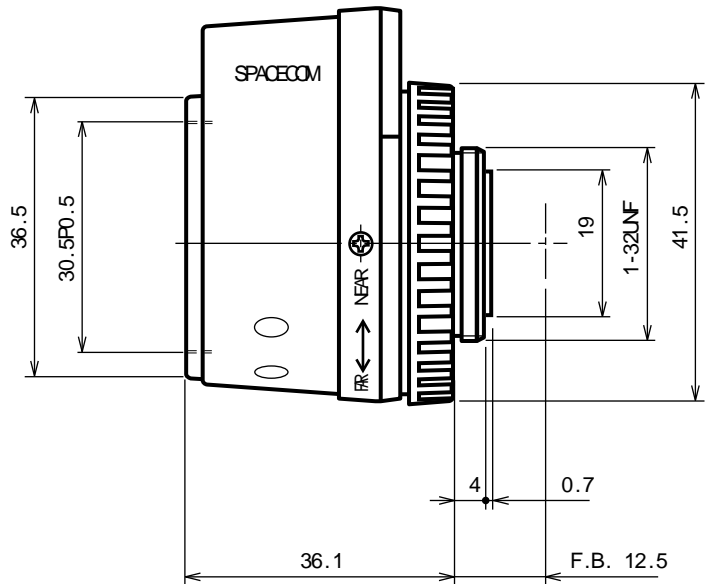
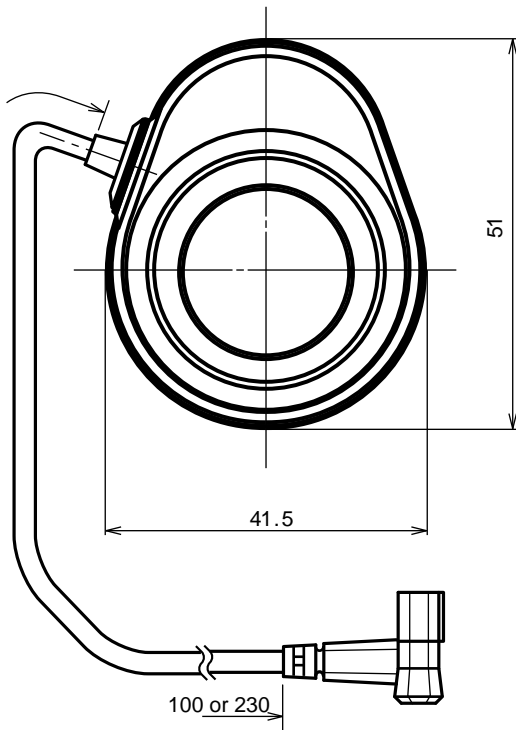
## [SPECIFICATIONS]

Focal Length :	4mm	Flange Back :	12.5mm
Maximum Relative Aperture :	1:1.2	Operation Voltage :	Close to Open : Less than 3V Open to Close : More than 0.5V
Iris :	F1.2 - Approx. 360 (With ND Spot Filter)	Operation :	Focus : Manual Iris : IG(Auto Close System)
Angular Field of View :	70.7 X53.4 deg.	Operation Temperature :	-10 to +50
Image Format :	4.8X3.6mm(D6mm)	Mount :	CS-Mount(Adjustable Lens Position)
Minimum Object Distance :	0.2m(From Front Vertex)	Front Thread:	30.5mm P0.5
Object Dimensions at M.O.D. :	29.6X21.3cm	Size, Weight :	D51X41.5X36.1mm, Approx. 50g
Optical Back Focal Distance :	9.0mm(In Air)		

## [COMPOSITION]

- Lens .....1
- Lens Cap .....1
- Dust Cap .....1

## [DIMENSIONS]



Unit:mm

Unit:mm

## [CIRCUIT DIAGRAM]

Iris Cable

