

MetaBright™ High Power Diffuse Tube Light

Model#: MB-DT506



- Size: 7x38in
- Patent-pending LED heat management for consistent performance
- Optical grade reflector coating reflects 99.9% of light for optimum diffused output
- High intensity and uniform, non-directional illumination across entire lighting hemisphere for area scan
- Ideal for highly reflective surfaces and textured or topographic objects
- Provides cloudy day illumination, minimizing shadows and glare
- Enclosed workspace blocks interference of ambient light
- Strobe & dimming options
- Mounting: Comes with mounting studs

Specifications:

Current Consumption	4.6A
Housing	Alluminum
Finish	Powder Coated Black
Intensity Uniformity	+/-5%
Weight	
Operating Temperature	120° F Max
Compliance	CE/RoHS
Lifetime Hours	75,000 Hours

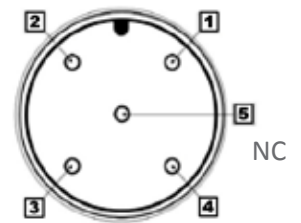
Wiring Diagram

Flying Leads	Function
RED	+24VDC
WHITE	0~10V
BLACK	Ground
GREEN	Signal Ground

18 AWG 4 WIRES CABLE X 1
When not using intensity control, connect 0-10V control line to +24 (Max Intensity Control = 25V) and intensity control ground to ground

M12 Connector

PIN #	Function
1	+24VDC
2	0-10VDC Intensity Control
3	Ground
4	Signal Ground



Active Area

Dimensions

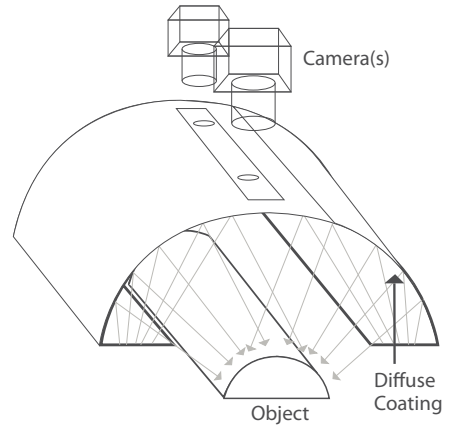
7 x 38 in

33.6 in x 38.5 in x 2.45 in

ORDERING INFORMATION:

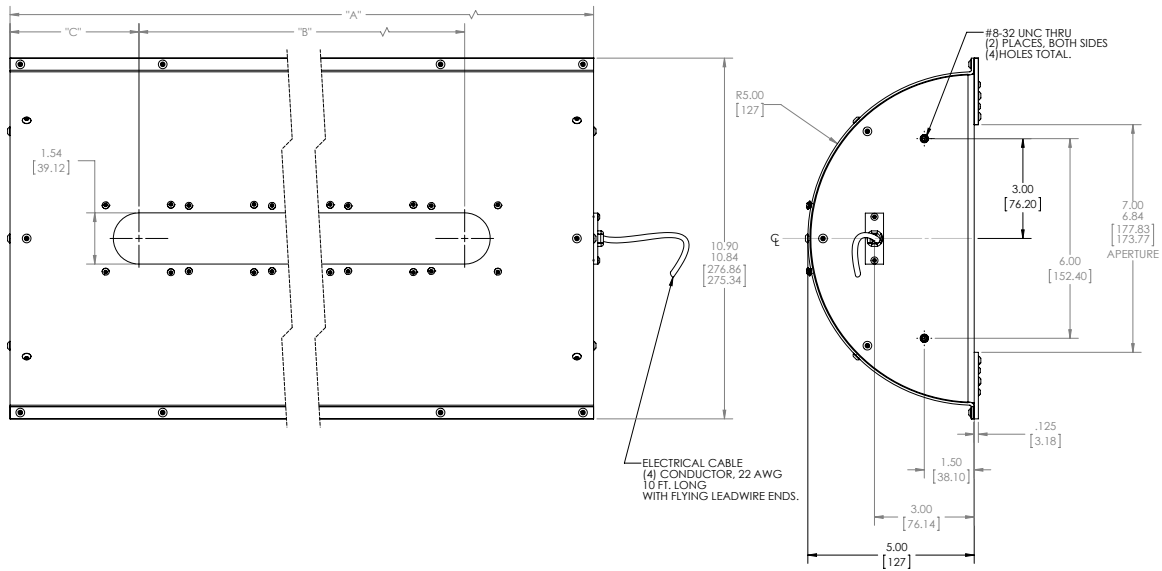
• MB-DT506	-	<input type="checkbox"/>	-	2	4	-	<input type="checkbox"/>
		W	White 6000k				*BLANK
		R	Red 630nm				T
		G	Green 530nm				ILD
		B	Blue 455 nm				ILS
		IRN	Infrared 850nm				LL
							10 ft. Flying Leads
							M12 Quick Disconnect
							In Line Dimmer
							In Line Strobe (customer provide trigger info)
							Long Focal Lens

MetaBright™ High Power Diffuse Tube Light Model#: MB-DT506



Drawing/Diagram

REVISIONS				
ZONE	REV.	DESCRIPTION	DATE	APPROVED
	A	ADJUSTED DIMS FOR DT506, RW	9/9/2011	



PART NO.	DESCRIPTION	"A" DIM.	"B" DIM.	"C" DIM.
MB-DT506	HIGH POWER DIFFUSED TUBE 7" X 38"	38.50 [978]	33.6 [853]	2.45 [62.2]
MB-DT406	HIGH POWER DIFFUSED TUBE 7" X 27"	28.9 [734]	21.15 [537]	3.875 [98.4]
MB-DT306	HIGH POWER DIFFUSED TUBE 7" X 15"	17.75 [451]	10.00 [254]	3.875 [98.4]

UNLESS OTHERWISE SPECIFIED:		NAME	DATE	METAPHASE TECHNOLOGIES, INC.	
DIMENSIONS ARE IN INCHES	DRAWN	RW	9-7-11	TITLE:	
TOLERANCES:	CHECKED			DIFFUSED TUBE LIGHT	
FRACTIONS & ANGULAR INCHES	ENG APPR.			SIZE (DWG. NO.)	
FRACTIONS & ANGULAR INCHES	MFG APPR.			C MB-DTXXX A	
THREE PLACE DECIMAL	G.A.			SCALE: 1:1 WEIGHT: SHEET 1 OF 1	
INTERPRET GEOMETRIC TOLERANCING PER:	COMMENTS:				
MATERIAL:					
PROPRIETARY AND CONFIDENTIAL	REVISIONS				
THE INFORMATION CONTAINED IN THIS DRAWING IS THE SOLE PROPERTY OF METAPHASE TECHNOLOGIES, INC. REPRODUCTION IN PART OR AS A WHOLE WITHOUT THE WRITTEN PERMISSION OF METAPHASE TECHNOLOGIES, INC. IS PROHIBITED.	DATE				
APPICATION	USED ON				
	FINISH				
	DO NOT SCALE DRAWING				