



Acuva Series **AcC 36DR2020-I67**

- AR2020 CMOS Sensor
- 19.7 MP
- Trigger via GMSL2
- M12x0.5 Mount
- IP67 Ingress Protection

The Acuva Series camera AcC 36DR2020-I67 with a ON Semiconductor AR2020 sensor delivers 15 frames per second with a resolution of 5120x3840 (19.7 MP).

Vision at the Speed of Innovation – The Imaging Source's latest GMSL2 cameras feature high-speed data transfer of up to 6 Gbps, robust coaxial cables of up to 15 m length, IP67-rated housings, and FAKRA connectors – designed for reliable imaging in harsh environments in automotive, robotics, agriculture, and other embedded and industrial vision systems.

To help you accelerate development and reduce complexity, The Imaging Source collaborates with trusted partners like Neosys Technology and ConnectTech. Our Acuva GMSL2 cameras and accessories are fully compatible with their industrial PCs (IPCs), ensuring seamless integration and reliable performance right out of the box. These partnerships are designed to save you time, minimize integration effort, and give you a competitive edge. Because when our technologies work together, you succeed faster.

Note: This Data Sheet is intended to provide a summary overview for an individual camera model. The Imaging Source's website also offers information on spectral sensitivity, dimensional diagrams, sensor data sheets, STEP files as well as our full product catalog. For comprehensive technical information, please refer to the Technical Reference Manual specific to each camera model.

www.theimagingsource.com



1 Quick Facts

General	
Resolution	5120x3840
Dynamic Range	10 bit
Frame Rate at Full Resolution	15

Optical Interface	
IR-Cut filter	No
Sensor Type	ON Semiconductor AR2020
Shutter Type	Rolling
Sensor Format	1/1.8 inch
Pixel Size	1.4 μm
Lens Mount	M12x0.5

Electrical Interface	
Interface	GMSL2
Supply Voltage	10 VDC to 20 VDC
Current Consumption	approx 90 mA @ 12 VDC

Mechanical Data	
Dimensions	H: 36 mm, W: 36 mm, L: 60.3 mm
Mass	80 g
Protection Class	IP6K6, IP6K7 (ISO 20653) *

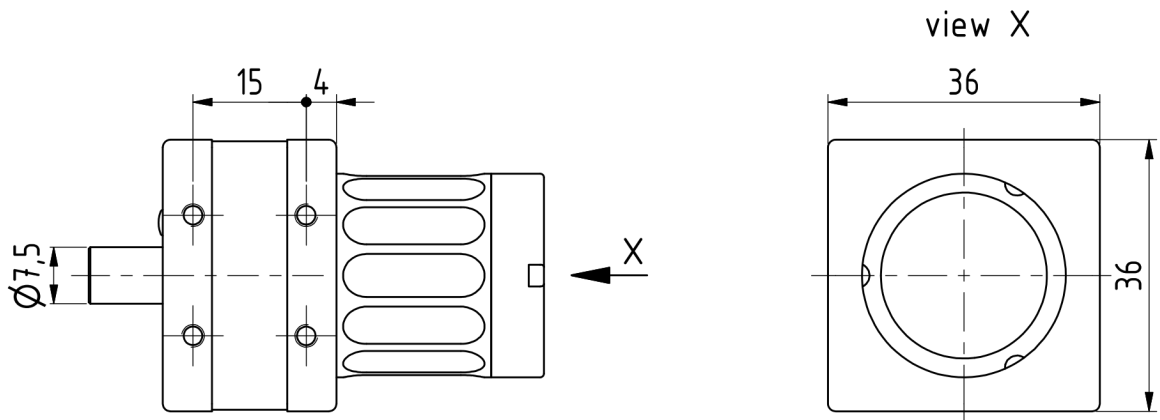
*) Protection only while The Imaging Source IP67 FAKRA cable is connected to the camera.

Environmental Conditions	
Temperature (operating)	-5 °C to 45 °C
Temperature (storage)	-20 °C to 60 °C
Humidity (operating)	20 % to 80 % (non-condensing)
Humidity (storage)	20 % to 95 % (non-condensing)

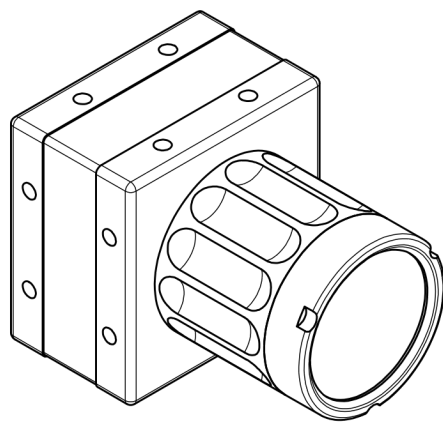
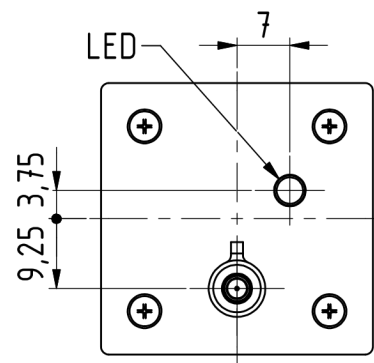
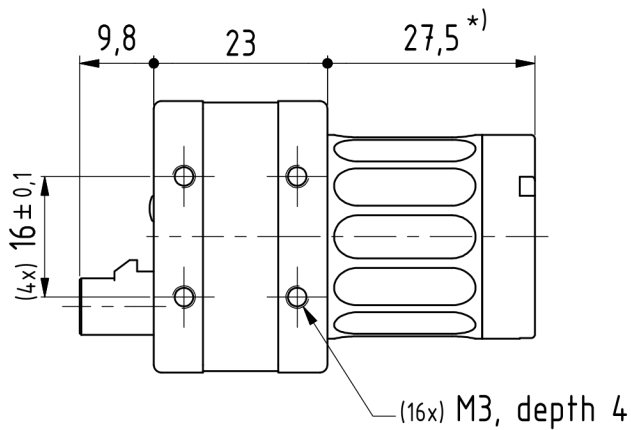


2 Dimensional Diagrams

2.1 AcC 36DR2020-I67 without Tripod Adapter



*) available in different lengths



Scale: 1 : 1

Dimensions: mm

Tolerances: DIN ISO 2768-m

275-20-1-01-00-c (w/o tripod-adapter)





3 Spectral Characteristics

3.1 Spectral Sensitivity - AR2020

Sensor: onsemi AR2020 *courtesy of onsemi*

