



Aptiris Series

ApM 39UR0521-F

- AR0521 CMOS Sensor
- 5 MP
- USB3 Vision / UVC compliant
- Trigger and I/Os
- M12x0.5 Mount



The Aptiris series camera ApM 39UR0521-F with a onsemi AR0521 sensor delivers 60 frames per second with a resolution of 2592x1944 (5 MP).

Aptiris – Always in Focus. In dynamic machine vision environments, exact working distances aren't always possible – leading to blurred images. The Imaging Source's latest USB 3.1 autofocus cameras solve this with software-driven one-push autofocus, ensuring sharp results even when distances change.

Featuring latest onsemi and Sony CMOS sensors, they deliver outstanding image quality, even in low light. Thanks to USB3 Vision and UVC (USB Video Class) compatibility and their compact design, integration into new or existing systems is seamless.

The USB3 Vision standard allows for rapid integration into new and existing applications via The Imaging Source's [IC Imaging Control 4 SDK](#) as well as most other third-party image processing libraries.

Aptiris delivers unmatched precision across industries such as medical & life sciences, laboratory automation, warehouse automation and logistics.

Note: This Data Sheet is intended to provide a summary overview for an individual camera model. The Imaging Source's website also offers information on spectral sensitivity, dimensional diagrams, sensor data sheets, STEP files as well as our full product catalog. For comprehensive technical information, please refer to the Technical Reference Manual specific to each camera model.

www.theimagingsource.com



1 Quick Facts

General	
Vision Standard	USB3 Vision (UVC compliant)
Resolution	2592x1944
Dynamic Range	12 bit
Frame Rate at Full Resolution	60

Optical Interface	
IR-Cut filter	No
Sensor Type	onsemi AR0521
Shutter Type	Rolling
Sensor Format	1/2.5 inch
Pixel Size	2.2 μm
Lens Mount	M12x0.5
Auto-Focus Stroke	1.1 mm (divided into 704 1/8-steps)

Electrical Interface	
Interface	USB 3.1gen1
Supply Voltage	4.75 VDC to 5.25 VDC
Current Consumption	approx 410 mA @ 5 VDC
I/O Connector	4-pin connector for trigger and strobe or general purpose input/output

Mechanical Data	
Dimensions	H: 36 mm, W: 36 mm, L: 33.8 mm
Mass	65 g

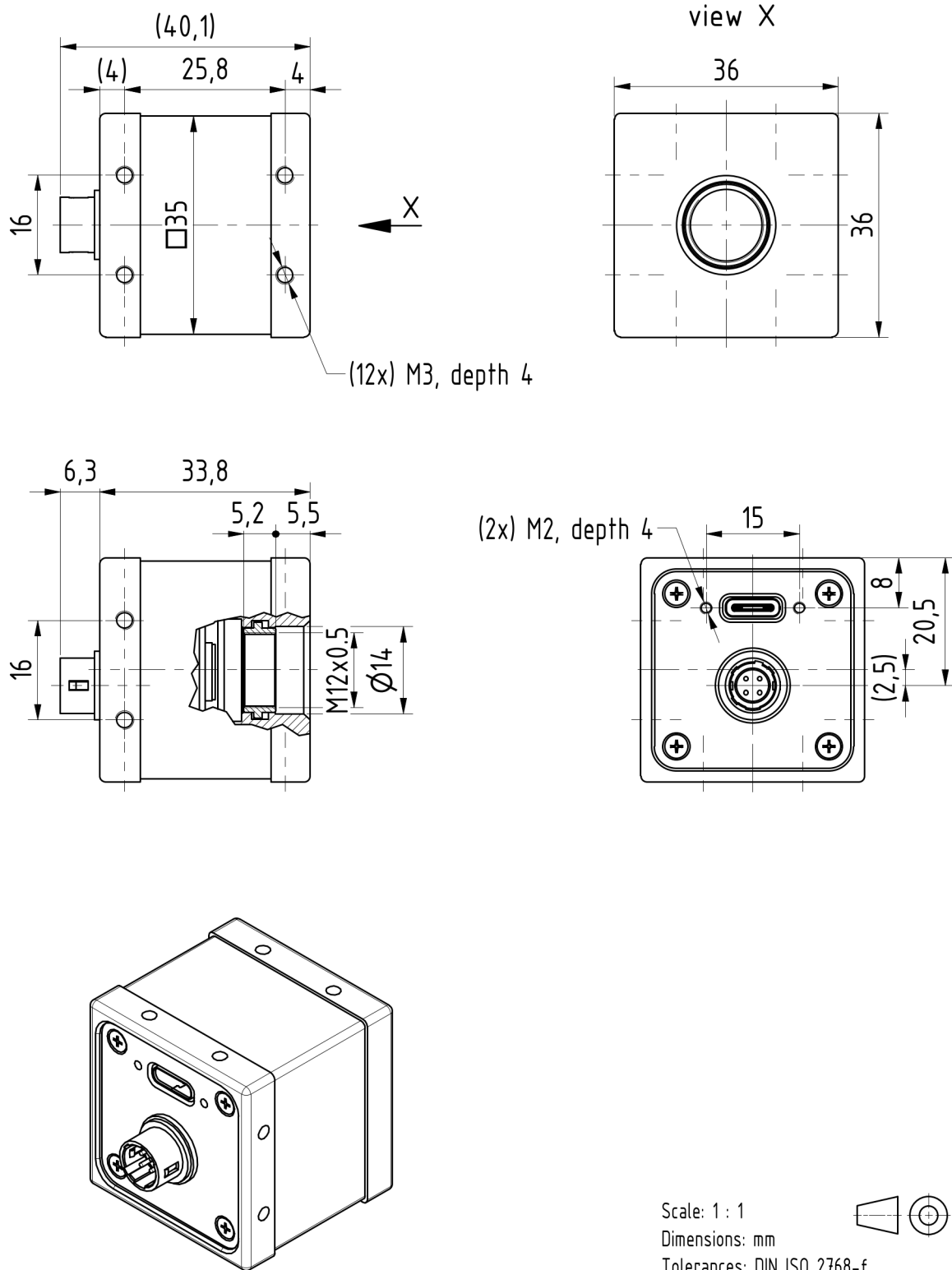
Environmental Conditions	
Housing Temperature (operating)	-5 °C to 50 °C
Temperature (storage)	-20 °C to 80 °C
Humidity (operating)	20 % to 80 % (non-condensing)
Humidity (storage)	20 % to 95 % (non-condensing)



Dimensional Diagrams

2 Dimensional Diagrams

2.1 ApM 39UR0521-F without Tripod Adapter





3 Spectral Characteristics

3.1 Spectral Sensitivity - AR0521

